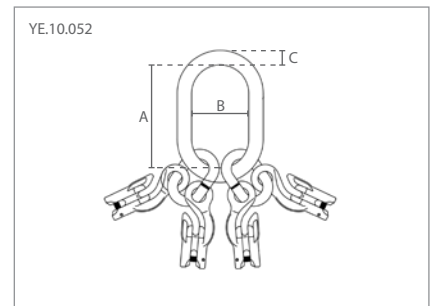
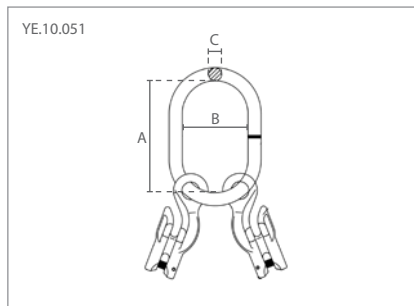
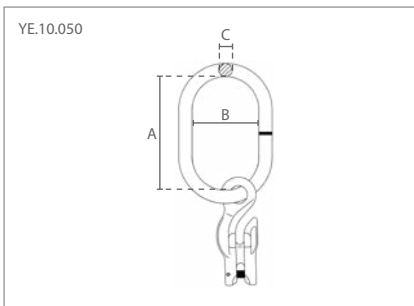




Grade 100 Toebehoren / Grade 100 Accessories

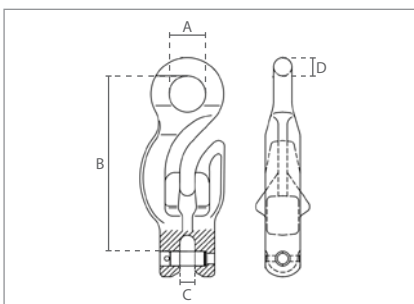
- 4. Topschalmen met inkorthaak / Master links with grab hook
- 5. Topschalmen met inkorthaken / Master links with grab hooks
- 6. Topschalmen met inkorthaken / Master links with grab hooks



4 Specificaties / Specifications				Afmetingen / Dimensions (mm)		
Artikelnummer	Capaciteit / Capacity	Gewicht / Weight	Markering	A	B	C
Article code	ton	kg	Marking			
YE.10.050.06	1.40	0.7	G10 050-06	110	60	13
YE.10.050.08	2.50	1.1	G10 050-08	120	70	14
YE.10.050.10	4.00	2.1	G10 050-10	140	80	17
YE.10.050.13	6.70	3.9	G10 050-13	160	95	22
YE.10.050.16	10.00	6.8	G10 050-16	190	110	25
YE.10.050.20	16.00	13.5	G10 050-20	230	130	32

5 Specificaties / Specifications				Afmetingen / Dimensions (mm)		
Artikelnummer	Capaciteit / Capacity	Gewicht / Weight	Markering	A	B	C
Article code	ton	kg	Marking			
YE.10.051.06	2.00	1.1	G10 051-06	120	70	14
YE.10.051.08	3.55	2.1	G10 051-08	140	80	17
YE.10.051.10	5.60	4.2	G10 051-10	160	95	22
YE.10.051.13	9.50	7.0	G10 051-13	190	110	25
YE.10.051.16	14.00	13.5	G10 051-16	230	130	32

6 Specificaties / Specifications				Afmetingen / Dimensions (mm)		
Artikelnummer	Capaciteit / Capacity	Gewicht / Weight	Markering	A	B	C
Article code	ton	kg	Marking			
YE.10.052.06	3.00	2.5	G10 052-06	135	75	19
YE.10.052.08	5.30	5.2	G10 052-08	160	90	23
YE.10.052.10	8.00	9.3	G10 052-10	180	100	27
YE.10.052.13	14.00	16.1	G10 052-13	200	110	33
YE.10.052.16	21.20	28.1	G10 052-16	260	140	36
YE.10.052.20	33.50	60.2	G10 052-20	350	190	50



Specificaties / Specifications		Afmetingen / Dimensions (mm)			
Capaciteit / Capacity	Gewicht / Weight	A	B	C	D
ton	kg				
1.40	0.3	18	88	8	9
2.50	0.7	24	116	12	12
4.00	1.4	30	145	12	15
6.70	2.4	37	178	15	18
10.00	4.5	45	216	19	22
16.00	9.0	58	278	24	28