



Sluitingen / Shackles

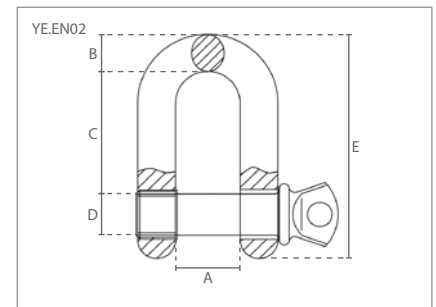
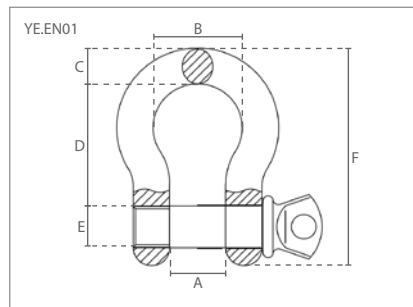
1. Harpsluitingen met borstbout / Screw pin anchor shackles
2. D-sluitingen met borstbout / Screw pin chain shackles

Eigenschappen

- » Volgens EN 13889 en U.S. Fed Spec RR-C-271.
- » Gesmeed en thermisch verzinkt.
- » Gemarkeerd met: CE / DELTA / WLL / Batch / 6
- » Bedrijfstemperatuur: -20°C - +200°C
- » Geleverd met testcertificaat en CE-conformiteitsverklaring.

Features

- » According to EN 13889 and U.S. Fed Spec RR-C-271.
- » Forged and hot-dip galvanized.
- » Marked with: CE / DELTA / WLL / Batch / 6
- » Operating temperature: -20°C - +200°C
- » Supplied with test certificate and CE declaration of conformity.



| 1 Specificaties / Specifications | | | | Afmetingen / Dimensions (mm) | | | | | |
|----------------------------------|-----------------------|--------|------------------|------------------------------|-----|----|-----|----|-----|
| Artikel nummer | Capaciteit / Capacity | MBL | Gewicht / Weight | A | B | C | D | E | F |
| Article code | ton | ton | kg | | | | | | |
| YE.EN01.01 | 1.00 | 6.00 | 0.2 | 17 | 26 | 10 | 36 | 11 | 64 |
| YE.EN01.01.5 | 1.50 | 9.00 | 0.2 | 19 | 26 | 12 | 42 | 13 | 74 |
| YE.EN01.02 | 2.00 | 12.00 | 0.3 | 21 | 34 | 14 | 47 | 16 | 85 |
| YE.EN01.03.25 | 3.25 | 19.5 | 0.7 | 27 | 43 | 16 | 60 | 19 | 107 |
| YE.EN01.04.75 | 4.75 | 28.5 | 1.1 | 32 | 51 | 19 | 71 | 22 | 127 |
| YE.EN01.06.50 | 6.50 | 39.00 | 1.7 | 37 | 58 | 23 | 83 | 25 | 148 |
| YE.EN01.08.50 | 8.50 | 51.00 | 2.5 | 43 | 64 | 26 | 95 | 28 | 167 |
| YE.EN01.09.50 | 9.50 | 57.00 | 3.8 | 46 | 74 | 30 | 100 | 32 | 190 |
| YE.EN01.12 | 12.00 | 72.00 | 5.0 | 52 | 83 | 33 | 107 | 35 | 210 |
| YE.EN01.13.5 | 13.50 | 81.00 | 6.1 | 57 | 92 | 36 | 122 | 38 | 233 |
| YE.EN01.17 | 17.00 | 102.00 | 8.2 | 61 | 98 | 39 | 135 | 42 | 254 |
| YE.EN01.25 | 25.00 | 150.00 | 16.9 | 74 | 126 | 47 | 145 | 51 | 314 |
| YE.EN01.35 | 35.00 | 210.00 | 21.6 | 83 | 146 | 53 | 177 | 57 | 348 |
| YE.EN01.55 | 55.00 | 330.00 | 38.9 | 105 | 184 | 80 | 266 | 71 | 453 |

| 2 Specificaties / Specifications | | | | Afmetingen / Dimensions (mm) | | | | |
|----------------------------------|-----------------------|--------|------------------|------------------------------|----|-----|----|-----|
| Artikel nummer | Capaciteit / Capacity | MBL | Gewicht / Weight | A | B | C | D | E |
| Article code | ton | ton | kg | | | | | |
| YE.EN02.01 | 1.00 | 6.00 | 0.2 | 17 | 10 | 30 | 11 | 59 |
| YE.EN02.01.50 | 1.50 | 9.00 | 0.2 | 19 | 12 | 35 | 13 | 68 |
| YE.EN02.02.00 | 2.00 | 12.00 | 0.3 | 21 | 13 | 40 | 16 | 77 |
| YE.EN02.03.25 | 3.25 | 19.5 | 0.6 | 27 | 16 | 50 | 19 | 98 |
| YE.EN02.04.75 | 4.75 | 28.5 | 1.0 | 32 | 19 | 55 | 22 | 117 |
| YE.EN02.06.50 | 6.50 | 39.00 | 1.5 | 37 | 23 | 70 | 25 | 135 |
| YE.EN02.08.50 | 8.50 | 51.00 | 2.2 | 43 | 26 | 80 | 28 | 153 |
| YE.EN02.09.50 | 9.50 | 57.00 | 3.2 | 46 | 29 | 90 | 32 | 172 |
| YE.EN02.12 | 12.00 | 72.00 | 4.5 | 52 | 33 | 100 | 35 | 191 |
| YE.EN02.13.5 | 13.50 | 81.00 | 5.6 | 57 | 36 | 110 | 38 | 207 |
| YE.EN02.17 | 17.00 | 102.00 | 7.3 | 61 | 38 | 120 | 42 | 230 |
| YE.EN02.25 | 25.00 | 150.00 | 13.2 | 74 | 45 | 145 | 51 | 279 |
| YE.EN02.35 | 35.00 | 210.00 | 20.2 | 83 | 53 | 170 | 57 | 325 |
| YE.EN02.55 | 55.00 | 330.00 | 31.5 | 105 | 63 | 200 | 68 | 365 |



Sluitingen / Shackles

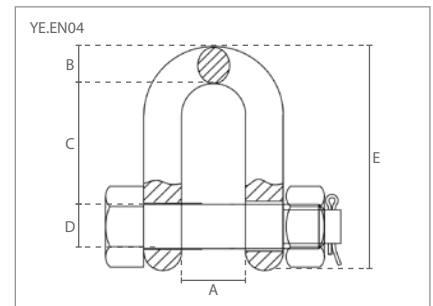
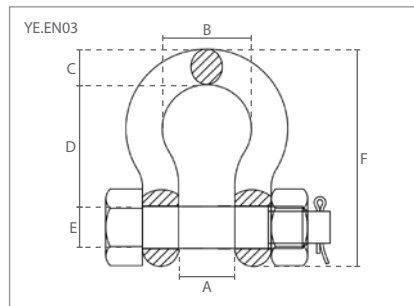
3. Harpsluitingen met moerbout / Bolt type anchor shackles
4. D-sluitingen met moerbout / Bolt type chain shackles

Eigenschappen

- » Volgens EN 13889 en U.S. Fed Spec RR-C-271.
- » Gesmeed en thermisch verzinkt.
- » Gemarkeerd met: CE / DELTA / WLL / Batch / 6
- » Bedrijfstemperatuur: -20°C - +200°C
- » Geleverd met testcertificaat en CE-conformiteitsverklaring.

Features

- » According to EN 13889 and U.S. Fed Spec RR-C-271.
- » Forged and hot-dip galvanized.
- » Marked with: CE / DELTA / WLL / Batch / 6
- » Operating temperature: -20°C - +200°C
- » Supplied with test certificate and CE declaration of conformity.



| 3 | | | | Specificaties / Specifications | | | | | | | Afmetingen / Dimensions (mm) | | | | | |
|----------------|-----------------------|--------|------------------|--------------------------------|-----|----|-----|----|-----|--|------------------------------|--|--|--|--|--|
| Artikel nummer | Capaciteit / Capacity | MBL | Gewicht / Weight | A | B | C | D | E | F | | | | | | | |
| Article code | ton | ton | kg | | | | | | | | | | | | | |
| YE.EN03.001 | 1.00 | 6.00 | 0.2 | 17 | 26 | 10 | 36 | 11 | 64 | | | | | | | |
| YE.EN03.001.5 | 1.50 | 9.00 | 0.2 | 19 | 30 | 12 | 42 | 13 | 74 | | | | | | | |
| YE.EN03.002 | 2.00 | 12.00 | 0.4 | 21 | 34 | 14 | 47 | 16 | 85 | | | | | | | |
| YE.EN03.003.25 | 3.25 | 19.5 | 0.7 | 27 | 43 | 18 | 60 | 19 | 107 | | | | | | | |
| YE.EN03.004.75 | 4.75 | 28.5 | 1.2 | 32 | 51 | 21 | 71 | 22 | 127 | | | | | | | |
| YE.EN03.006.5 | 6.50 | 39.00 | 1.8 | 37 | 58 | 25 | 83 | 25 | 148 | | | | | | | |
| YE.EN03.008.5 | 8.50 | 51.00 | 2.7 | 43 | 69 | 27 | 95 | 28 | 167 | | | | | | | |
| YE.EN03.009.5 | 9.50 | 57.00 | 3.9 | 46 | 74 | 32 | 107 | 32 | 190 | | | | | | | |
| YE.EN03.012 | 12.00 | 72.00 | 5.7 | 52 | 83 | 35 | 122 | 35 | 210 | | | | | | | |
| YE.EN03.013.5 | 13.50 | 81.00 | 6.9 | 57 | 92 | 36 | 135 | 38 | 233 | | | | | | | |
| YE.EN03.017 | 17.00 | 102.00 | 8.9 | 61 | 98 | 41 | 145 | 42 | 254 | | | | | | | |
| YE.EN03.025 | 25.00 | 150.00 | 18 | 74 | 126 | 58 | 177 | 51 | 314 | | | | | | | |
| YE.EN03.035 | 35.00 | 210.00 | 25 | 83 | 146 | 61 | 195 | 57 | 348 | | | | | | | |
| YE.EN03.055 | 55.00 | 330.00 | 45 | 125 | 180 | 78 | 263 | 70 | 450 | | | | | | | |
| YE.EN03.085 | 85.00 | 510.00 | 69 | 140 | 195 | 80 | 320 | 82 | 545 | | | | | | | |

| 4 | | | | Specificaties / Specifications | | | | | | | Afmetingen / Dimensions (mm) | | | | |
|----------------|-----------------------|--------|------------------|--------------------------------|----|-----|----|-----|--|--|------------------------------|--|--|--|--|
| Artikel nummer | Capaciteit / Capacity | MBL | Gewicht / Weight | A | B | C | D | E | | | | | | | |
| Article code | ton | ton | kg | | | | | | | | | | | | |
| YE.EN04.001 | 1.00 | 6.00 | 0.2 | 17 | 10 | 30 | 11 | 59 | | | | | | | |
| YE.EN04.001.5 | 1.50 | 9.00 | 0.2 | 19 | 12 | 35 | 13 | 68 | | | | | | | |
| YE.EN04.002 | 2.00 | 12.00 | 0.3 | 21 | 13 | 40 | 16 | 77 | | | | | | | |
| YE.EN04.003.25 | 3.25 | 19.5 | 0.7 | 27 | 18 | 50 | 19 | 98 | | | | | | | |
| YE.EN04.004.75 | 4.75 | 28.5 | 1.1 | 32 | 21 | 55 | 22 | 117 | | | | | | | |
| YE.EN04.006.5 | 6.50 | 39.00 | 1.7 | 37 | 25 | 70 | 25 | 136 | | | | | | | |
| YE.EN04.008.5 | 8.50 | 51.00 | 2.4 | 43 | 27 | 80 | 28 | 153 | | | | | | | |
| YE.EN04.009.5 | 9.50 | 57.00 | 3.6 | 46 | 32 | 90 | 32 | 173 | | | | | | | |
| YE.EN04.012 | 12.00 | 72.00 | 5.0 | 52 | 35 | 100 | 35 | 191 | | | | | | | |
| YE.EN04.013.5 | 13.50 | 81.00 | 6.4 | 57 | 35 | 110 | 38 | 207 | | | | | | | |
| YE.EN04.017 | 17.00 | 102.00 | 8.1 | 61 | 41 | 120 | 42 | 230 | | | | | | | |
| YE.EN04.025 | 25.00 | 150.00 | 15.4 | 74 | 54 | 145 | 51 | 279 | | | | | | | |
| YE.EN04.035 | 35.00 | 210.00 | 22.9 | 83 | 61 | 170 | 57 | 325 | | | | | | | |
| YE.EN04.055 | 55.00 | 330.00 | | | | | | | | | | | | | |